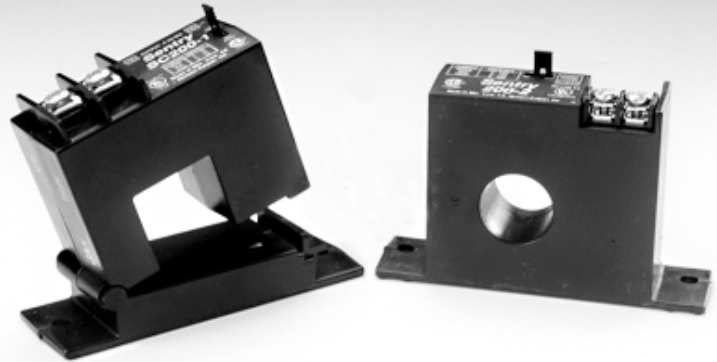


SENTRY 100/200 Series

AC Current Transducers with 0-5/10VDC or 4-20mA Output

The Sentry 100/200 Series AC Current Transducers provide a voltage or current signal proportional to monitored current up to 200A. Available in both solid core and split core configurations.



FEATURES



Variable Frequency Integration for VFDs

New VFI Technology for VFDs

New Variable Frequency Integration technology uses high speed sampling to provide accurate measurements of current on the load side of VFDs.

Reliability

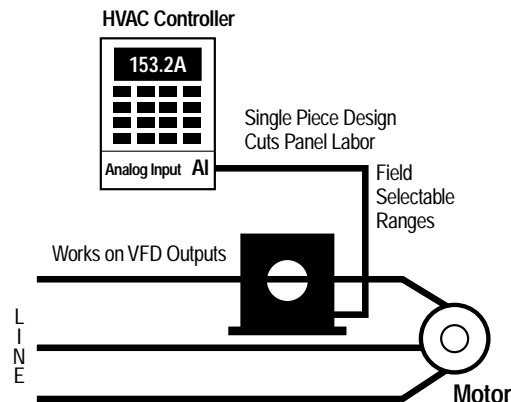
Field-proven in hundreds of thousands of installations since 1982. Solid performance even in rooftop environments. Backed by five-year warranty.

Convenience

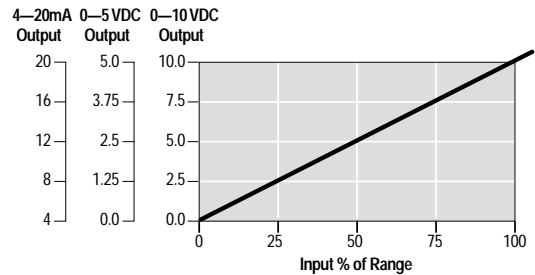
Compact size, integral mounting flange, and two-wire hookup assure an installation that is simple, fast, and secure. You save money and avoid callbacks. The split core version simplifies retrofits.

APPLICATIONS

- **Automation Systems:** Analog current reading for remote monitoring and software alarms
- **Fan/Pump Status:** Electronic proof of flow
- **Sense High Current:** Accurately read the secondary current from high ratio CTs



SIGNAL DIAGRAM

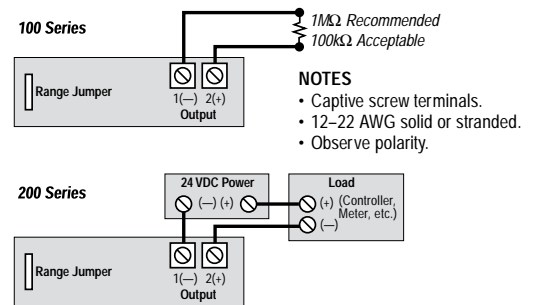


INPUT MAXIMUMS

RANGE	MAXIMUM CONTINUOUS	MAX. 6 SEC.	MAX. 1 SEC.
0-2A	40A	60A	100A
0-5A	100A	124A	250A
0-10A	80A	125A	250A
0-20A	110A	150A	300A
0-50A	175A	215A	400A
0-100A	200A	300A	600A
0-150A	300A	450A	800A
0-200A	400A	500A	1,000A

See Ordering Information for models with listed ranges.

CONNECTIONS



- NOTES**
- Captive screw terminals.
 - 12-22 AWG solid or stranded.
 - Observe polarity.

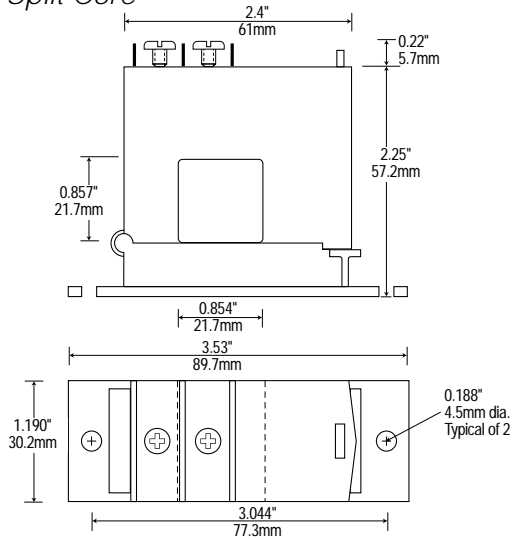


Neilsen-Kuljian, Inc.
(800) 959-4014
www.SentrySensors.com

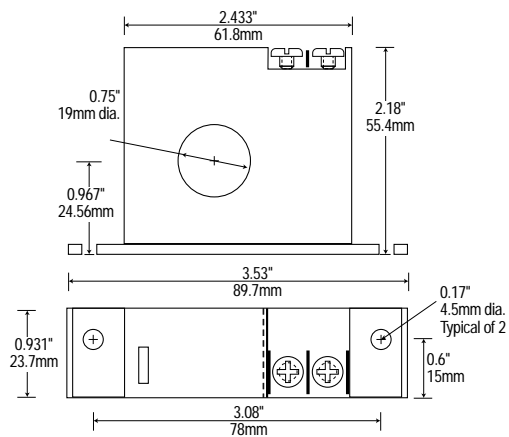
SENTRY 100/200 SERIES

AC Current Transducers with 0-5/10VDC or 4-20mA Output



Split Core



Solid Core



SPECIFICATIONS

Output Signal	0–5VDC, 0–10VDC, 4–20mA (see Ordering Info)
Accuracy	0–5/10VDC: 1% FS over 5–100% of range 4–20mA: 0.5% FS
Response Time, 0-90%	0–5/10VDC: 100 mS 4–20mA: 300 mS
Frequency Range	0–5/10VDC: 50–60Hz 4–20mA w/o VFI: 20–100Hz 4–20mA w/ VFI: 10–400Hz
Power Supply	0–5/10VDC: Self-powered 4–20mA: 12–40VDC, Loop-powered
Output Load, 0–5/10VDC	1 Megohm required for rated accuracy 100K Ohm Load, add 1.3% error
Output Load, 4–20mA	950 ohms max @ 24 VDC $R_{max} = (V_{supply} - 5) / 0.020A$
Output Signal Limit	2x rated output
Isolation Voltage	UL listed to 1270 VAC, tested to 5kV
Input Ranges	Field Selectable Ranges from 0–200A (see Ordering Info)
Sensing Aperture	Solid core: 0.75" dia. Split core: 0.85" sq.
Case	UL 94V-0 Flammability rated thermoplastic
Environmental	0–5/10VDC: –58/149° (–50/65°C) 4–20mA: –4/122°F (–20/50°C) For all: 0–95% RH, non-condensing
Approvals	UL, ULC, CE  

Need an interposing relay? See the new PowerBASE Relay on page 13.

ORDERING INFORMATION

4–20mA Output Models

(Specify VFI when measuring VFD loads)

MODEL	RANGE	VFI	CASE
200-05	0–2, 0–5A	No	Solid Core
200-1	0–10, 0–20, 0–50A	No	Solid Core
200-2	0–100, 0–150, 0–200A	No	Solid Core
SC200-05	0–2, 0–5A	No	Split Core
SC200-1	0–10, 0–20, 0–50A	No	Split Core
SC200-2	0–100, 0–150, 0–200A	No	Split Core
200-05-V	0–2, 0–5A	Yes	Solid Core
200-1-V	0–10, 0–20, 0–50A	Yes	Solid Core
200-2-V	0–100, 0–150, 0–200A	Yes	Solid Core
SC200-05-V	0–2, 0–5A	Yes	Split Core
SC200-1-V	0–10, 0–20, 0–50A	Yes	Split Core
SC200-2-V	0–100, 0–150, 0–200A	Yes	Split Core

VDC Output Models

MODEL	RANGE	OUTPUT	CASE
100-1L	0–10, 0–20, 0–50A	0–5VDC	Solid Core
100-2L	0–100, 0–150, 0–200A	0–5VDC	Solid Core
100-3L	0–10, 0–20, 0–50A	0–10VDC	Solid Core
100-4L	0–100, 0–150, 0–200A	0–10VDC	Solid Core
SC100-1L	0–10, 0–20, 0–50A	0–5VDC	Split Core
SC100-2L	0–100, 0–150, 0–200A	0–5VDC	Split Core
SC100-3L	0–10, 0–20, 0–50A	0–10VDC	Split Core
SC100-4L	0–100, 0–150, 0–200A	0–10VDC	Split Core

Contact Neilsen-Kuljian for availability of the earlier 100 Series products which have a 10% signal offset.



Neilsen-Kuljian, Inc.
(800) 959-4014
 sales@SentrySensors.com